

**owners
manual**

**Model No.
45-0226**

IMPORTANT:
Read Rules for
Safe Operation
and Instructions
Carefully



**6 Cu. Ft.
POLY LAWN CART**

- **Assembly**
- **Repair Parts**



• 303 WEST RAYMOND • SULLIVAN, ILLINOIS 61951

PRINTED IN U.S.A.

FORM NO. 44976
(4/93)

RULES FOR SAFE OPERATION

Preventing accidents is the responsibility of every equipment operator. The following general safety precautions must be fully understood and followed by every operator.

1. Do not at anytime carry passengers in this lawn cart. It is designed for carrying materials only and not intended to carry passengers.
2. Be careful on any grade (hill) and stay off of steep grades.
3. Use caution when loading lawn cart to avoid tipping.
4. Avoid large holes and ditches when transporting loads.

Your lawn cart carton contains a hardware package with parts as shown in the chart below and figure 1.

Contents of Hardware Pack: (See figure 1)

REF. NO.	QTY.	DESCRIPTION
8	2	U-Clamp
9	4	Carriage Bolt, 5/16-18 x 2" Long
10	4	Hex Head Bolt, 5/16-18 x 3/4" Long
11	4	Flat Washer 1.59 O.D.
12	8	Hex Nut, 5/16-18
13	4	Flat Washer, 5/16"
14	8	Lock Washer, 5/16"
15	4	Cotter Pin, 1/8" x 1-1/4" Long

ASSEMBLY INSTRUCTIONS

TOOLS REQUIRED

- (2) 1/2" Open End or Box Wrench
- (1) Pair of pliers

NOTE: Do not tighten nuts until entire lawn cart has been assembled.

1. Refer to parts drawing on page 3 for assembly and reference numbers.
2. Support the tray (Ref. 1) (bottom up) at each end with two boxes or two saw horses.
3. Slide handle extension (Ref. 5) into ends of upper handle (Ref. 4) and align holes.
4. Position handle assembly on tray as shown on parts drawing. Insert one 5/16" x 2" carriage bolt. (Ref. 9) up through one of the holes at the rear of the tray and on through the handle assembly.
5. Place one channel leg (Ref. 6), with the two holes for the leg brace toward the rear of the tray, over the exposed threads of the 5/16" x 2" carriage bolt installed in step 4. Secure loosely with one 5/16" flat washer (Ref. 13), one 5/16" lock washer (Ref. 14) and one 5/16" hex nut (Ref. 12).
6. Repeat step 5 for the other channel leg.
7. Place one U-clamp (Ref. 8) at the end of one handle extension and align holes. Insert one 5/16" x 3/4" carriage bolt up through one of the holes at the front of the tray and through the U-clamp, handle extension, and front hole in channel leg. Secure loosely with one 5/16" flat washer, one 5/16" lock washer and one 5/16" hex nut.
8. Repeat step 7 for the other side of tray.
9. Slide axle (Ref. 3) through both U-clamps and center axle left to right.
10. Place a large flat washer (Ref. 11), wheel (Ref. 2), and another large flat washer on each end of axle. Secure on outside of flat washers with cotter pins (Ref. 15).
11. Attach leg brace (Ref. 7) with offset as shown, to channel legs with four 5/16" x 3/4" hex bolts (Ref. 10), lock washers and nuts.
12. Tighten all nuts securely with wrenches.

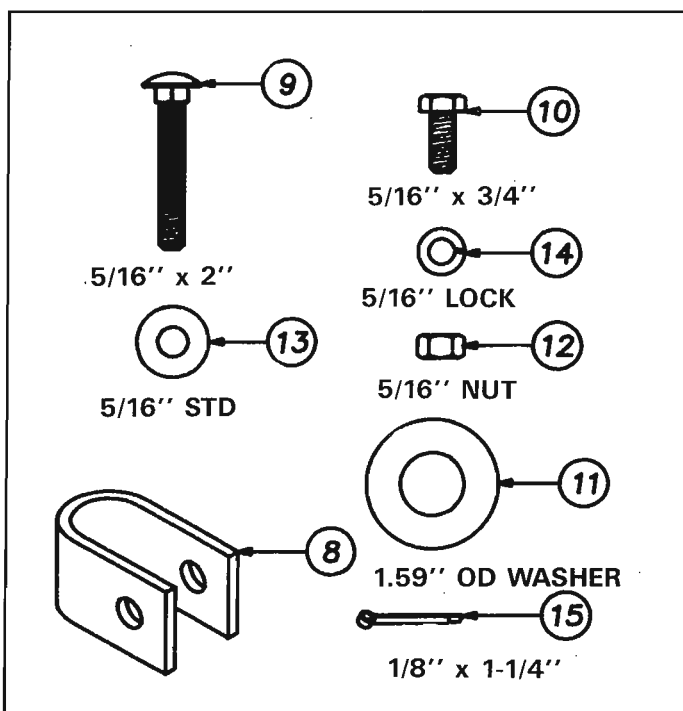
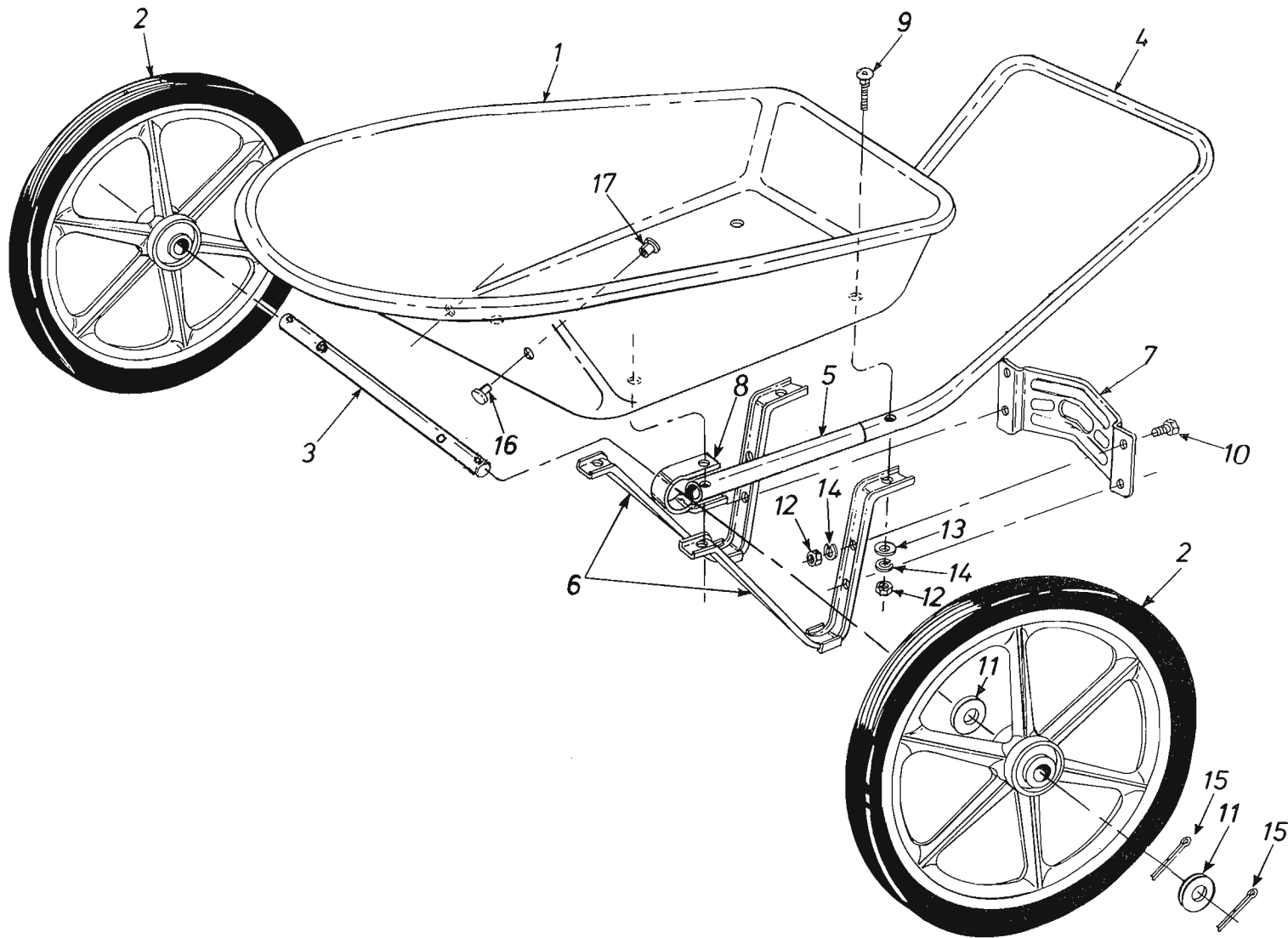


FIGURE 1 NOTE: Refer to back cover for full size hardware chart.

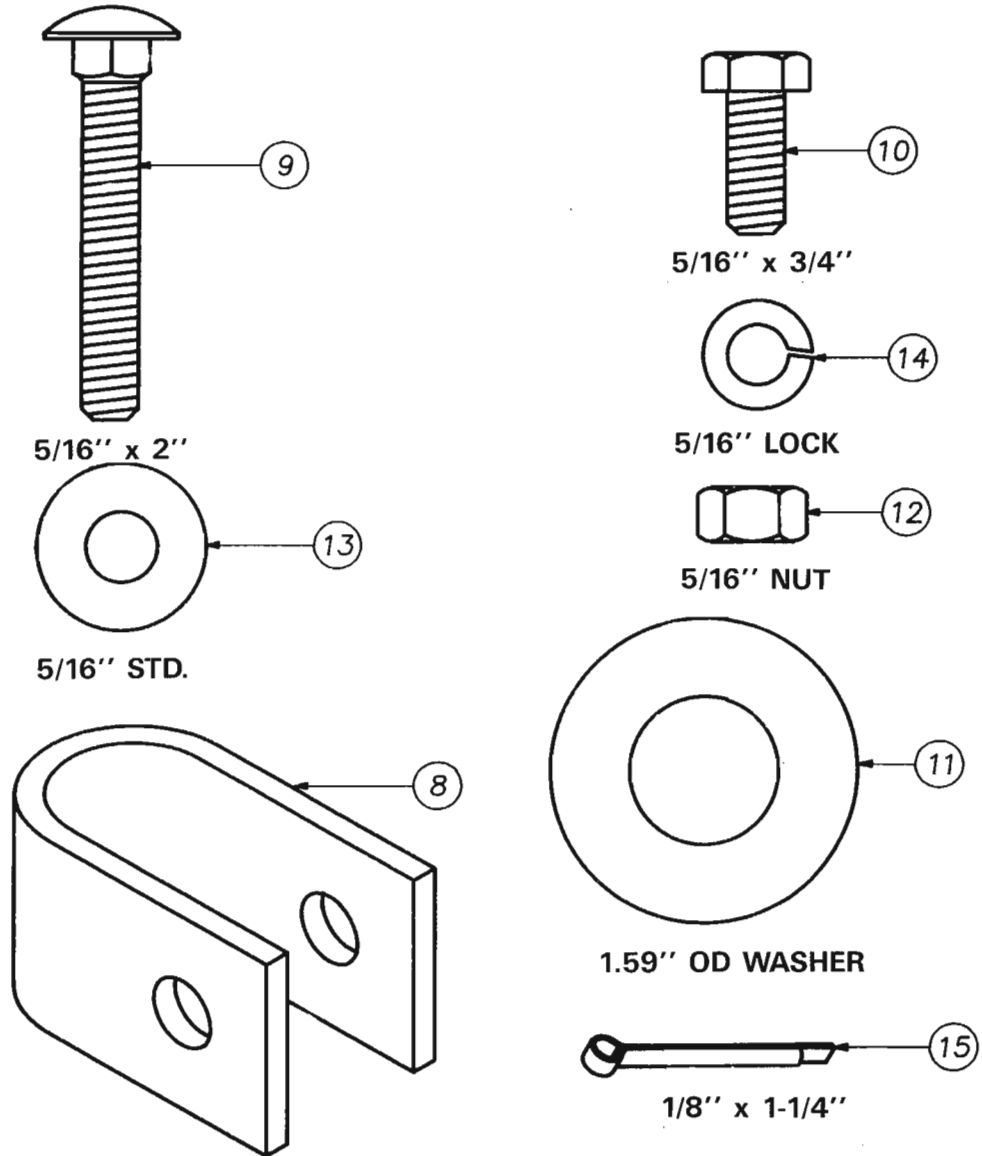
MODEL 45-0226 6 CU. FT. POLY LAWN CART



PARTS LIST FOR MODEL 45-0226 6 CU FT LAWN CART

REF. NO.	PART NO.	QTY.	DESCRIPTION	REF. NO.	PART NO.	QTY.	DESCRIPTION
1	44966	1	Tray, Poly	10	43182	4	Hex Head Bolt, 5/16-18 x 3/4" Lg.
2	44975	2	20" Spoked Wheel	11	43009	4	Flat Washer 1.59 O.D.
3	23877	1	Axle, 5/8"	12	43083	8	Hex Nut, 5/16-18
4	44943	1	Upper Handle	13	43081	4	Flat Washer, 5/16"
5	44944	2	Handle Extension	14	43086	8	Lock Washer, 5/16"
6	44192	2	Channel Leg	15	43010	4	Cotter Pin, 1/8" x 1-1/4" Long
7	44194	1	Leg Brace	16	45093	2	Ratchet Rivet (Male)
8	23878	2	U-Clamp	17	45094	2	Ratchet Rivet (Female)
9	44977	4	Carriage Bolt, 5/16-18 x 2" Long		44976	1	Owners Manual

FULL SIZE HARDWARE CHART



REPAIR PARTS

303 West Raymond Street
Sullivan, Illinois 61951
(217) 728-8388